

Technical Features



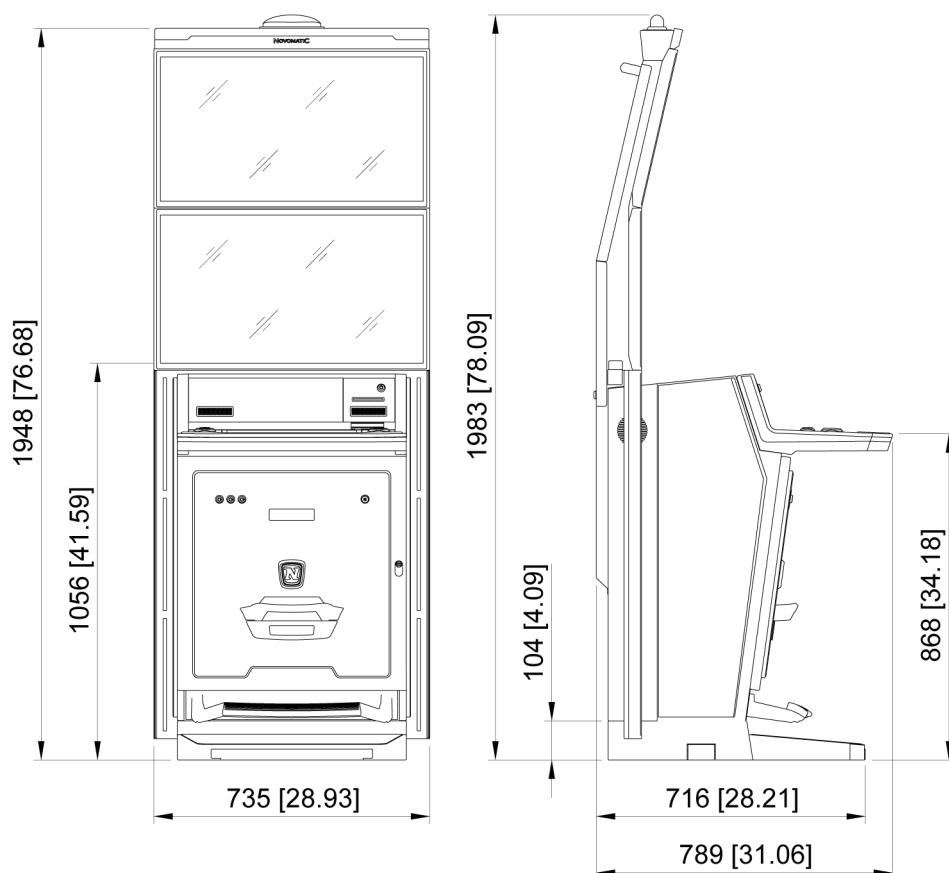
Symbolic Picture

Cabinet Type	Stand (ST)		
Top Light	Game light (horizontal, 3 colors)		
Monitor	2 TFT 32" (16:9)		
Cash Handling			
Bill Validator	iVIZION-100-SS, MEI SCNxxxx (Cashflow), UBA-1x-SS, UBA Pro		
Bill Dispenser	NV200 + Smart Payout, UBA-10-SH2-RC		
Coin Validator	NRI v ² eagle ccTalk		
Hopper	Up to 2: Azkoyen U-II+, SUZO FLOW		
Printer	Epic 950*, Epic Edge, GEN 2*, GEN5		
NBS**	Futronic FS84, Futronic FS85, NBS-IRM		
Player Tracking	Available and customizable		
Mainboard	Platform	Abbr.	Game Content
	COBRA	CB	GGA, Impera, NOVO LINE, SWA
Player Panel	15.6" PCAP TouchDeck		
Sound	2 full range loudspeakers and Novo Soundbox		
Multimedia Chair	D02 MAMBA (optional)		

* EOL = End of Life

** NBS = Technologies for Casino Management

Technical Data



Machine Type	FV837D
Dimensions in mm [in]	Width: 735 [28.93] Depth: 789 [31.06]
With Top Light	Height: 1983 [78.09]
Without Top Light	Height: 1948 [76.68]
AC Line Voltage	100–240 V~ 50/60 Hz, 3.8/1.9 A
Power Consumption	350 W
Ambient Temperature	10–35 °C
Ambient Humidity	30–80 % relative humidity (non-condensing)

General Disclaimer

The manufacturer assumes no liability or responsibility for the accuracy, up-to-datedness and/or completeness of the information and data provided in the data sheet. Any and all liability relating to the data sheet (such as for damages due to incorrect or incomplete data) are based on the provision of the General Terms and Conditions of Sale and Delivery of NOVOMATIC AG (<https://www.novomatic.com/en/imprint>). © NOVOMATIC 09 2023

