

## Technical Features



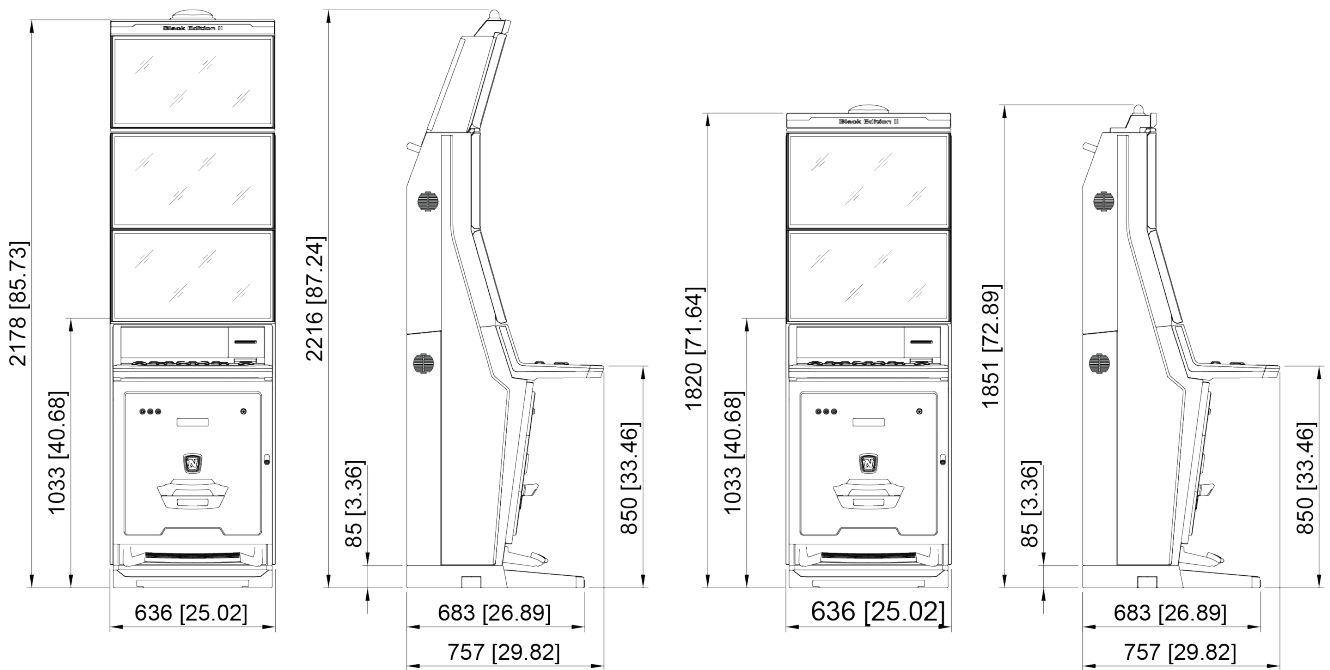
Symbolic Picture

<b>Cabinet Type</b>	Stand (ST)		
<b>Top Light</b>	Game light (horizontal, 3 colors)		
<b>Topper</b>	With 27" TFT Monitor		
<b>Monitor</b>	2 TFT 27" (16:9) 1x PCAP Touch		
<b>Cash Handling</b>			
Bill Validator	iVIZION-100-SS, MEI SCNxxxx (Cashflow), UBA-1x-SS, UBA Pro		
Bill Dispenser	NV200 + Smart Payout, UBA-10-SH2-RC		
Coin Validator	NRI v <sup>2</sup> eagle ccTalk		
Hopper	Up to 2: Azkoyen U-II+, SUZO FLOW		
Printer	Epic 950*, Epic Edge, GEN 2*, GEN5		
<b>NBS**</b>	Futronic FS84, Futronic FS85, NBS-IRM		
<b>Player Tracking</b>	Available and customizable		
<b>Mainboard</b>	<b>Platform</b>	<b>Abbr.</b>	<b>Game Content</b>
	COBRA	CB	GGA, Impera, NOVO LINE, SWA
	COOLFIRE II-s	CF2S	
	FireFox II	FF2	GGA, Impera, NOVO LINE, Pro
<b>Player Panel</b>	With buttons or 15.6" PCAP TouchDeck		
<b>Sound</b>	2 full range loudspeakers and Novo Soundbox		
<b>Side Table</b>	<a href="#">D40</a> (optional)		

\* EOL = End of Life

\*\* NBS = Technologies for Casino Management

## Technical Data



<b>Machine Type</b>	FV837A
<b>Dimensions in mm [in]</b>	Width: 636 [25.02] Depth: 757 [29.82]
With Topper D24 and Top Light	Height: 2216 [87.24]
With Topper D24, without Top Light	Height: 2178 [85.73]
Without Topper and with Top Light	Height: 1851 [72.89]
Without Topper, without Top Light	Height: 1820 [71.64]
<b>AC Line Voltage</b>	100–240 V~ 50/60 Hz, 3.8/1.9 A
<b>Power Consumption</b>	350 W
<b>Ambient Temperature</b>	10–35 °C
<b>Ambient Humidity</b>	30–80 % relative humidity (non-condensing)

### General Disclaimer

The manufacturer assumes no liability or responsibility for the accuracy, up-to-datedness and/or completeness of the information and data provided in the data sheet. Any and all liability relating to the data sheet (such as for damages due to incorrect or incomplete data) are based on the provision of the General Terms and Conditions of Sale and Delivery of NOVOMATIC AG (<https://www.novomatic.com/en/imprint>). © NOVOMATIC 09 2023

