

## Technical Features



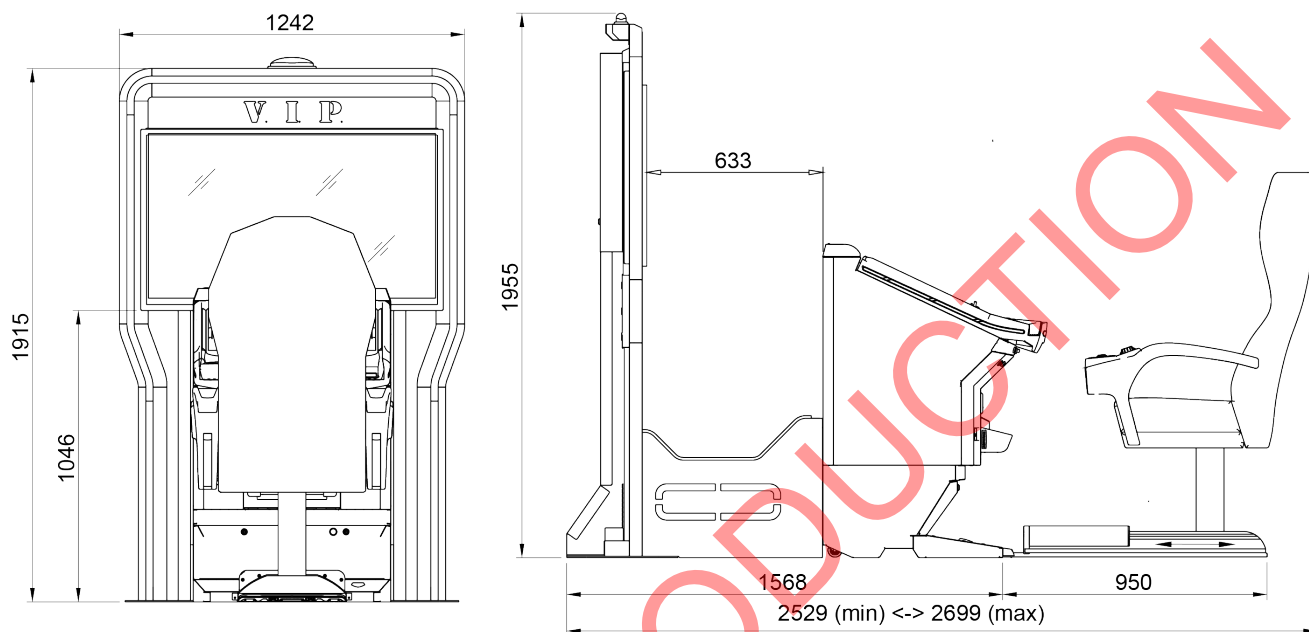
Symbolic Picture - FA880 B98



Symbolic Picture - C13 COBRA

<b>Cabinet Type</b>	Slant Top (SL)
<b>Top Light</b>	Game light (horizontal, 3 colors)
<b>Ornamental Molding</b>	Stainless steel plate with stamped V.I.P letters
<b>Monitor</b>	1 TFT 46" or 47" (16:9)
<b>Indicator Panel</b>	Individual perspex plate with a centered N-LOGO
<b>Gaming Machine</b>	FV880 (for further information see data sheet FV880)
<b>Multimedia Chair</b>	C13 COBRA
Sound	2 full range loudspeakers in the headrest
Volume Regulator	Available in the left armrest
Select Game Button	Available in the left armrest
Extra Start / Take Win Button	Available in the right armrest
Gamble Bet Buttons	Available in the right armrest

## Technical Data



<b>Machine Type</b>	FA880 B98: FV880, FSB98, C13
<b>Dimensions</b>	Width: 1242 mm Depth: 2529 mm (min) Depth: 2699 mm (max)
FSB98 with Game Light	Height: 1955 mm
FSB98 without Game Light	Height: 1915 mm
FSB98 with FV880	Depth: 1568 mm
C13 COBRA Chair	Depth: 950 mm
<b>Power Supply</b>	230 V~ / 50 Hz / 2.5 A 120 V~ / 60 Hz / 5 A
<b>Power Consumption</b>	400 W
<b>Ambient Temperature</b>	10–35 °C
<b>Ambient Humidity</b>	30–80% (non-condensing)

### General Disclaimer

The manufacturer assumes no liability or responsibility for the accuracy, up-to-datedness and/or completeness of the information and data provided in the data sheet. Any and all liability relating to the data sheet (such as for damages due to incorrect or incomplete data) are based on the provision of the General Terms and Conditions of Sale and Delivery of NOVOMATIC AG (<https://www.novomatic.com/en/imprint>). © NOVOMATIC 04 2022

