

Technical Features



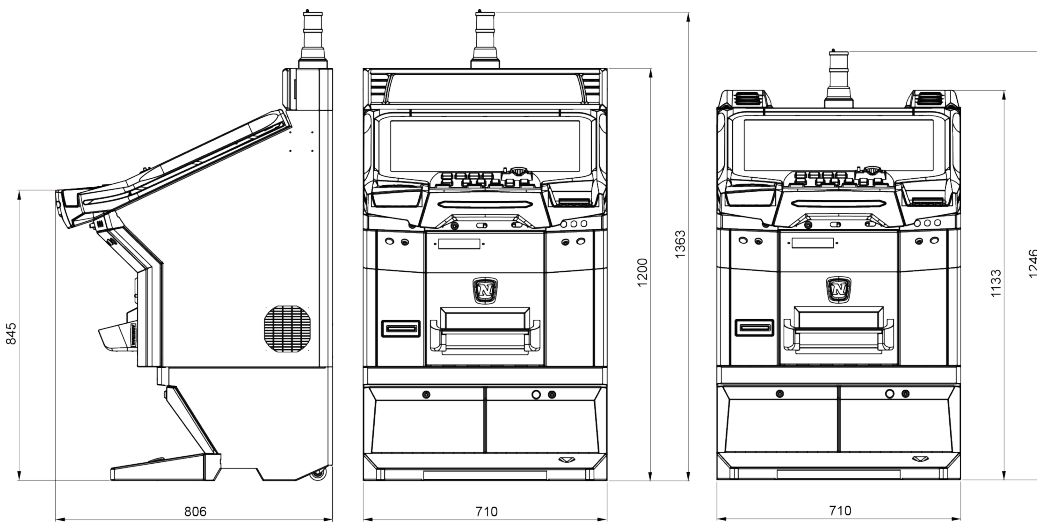
Symbolic Picture

| | | | |
|---------------------------|---|--------------|---|
| Cabinet Type | Slant Top (SL) | | |
| Top Light | Candle (vertical, 3 colours) or Classic (vertical, 2 colours) Game light (horizontal, 3 colours) Flat (horizontal, 3 colours) | | |
| Topper | With perspex plate | | |
| Monitor | SL1 with 1 TFT 26" (16:10) or 27" (16:9) or in combination with C05 only: SL1 with 1 TFT 27" (16:9) PCAP Touch SL2 with 2 TFT 26" (16:10) or 27" (16:9) or SL2 with 1 TFT 26" (16:10) and an individual perspex plate or SL2 with 1 TFT 27" (16:9) and an individual perspex plate SL3 with 3 TFT 26" (16:10) or 27" (16:9) | | |
| Cash Handling | | | |
| Bill Validator | Cashcode ONE, JCM iVIZON-100-SS, JCM UBA-1x-SS, MEI SCNxx (Cashflow) | | |
| Bill Dispenser | NV200 + SmartPayout | | |
| Coin Validator | CONDOR Premier, MC-40, IC-40, NRI G-13.mft | | |
| Hopper | Up to 2: Universal MK4, Azkoyen U II Plus | | |
| Ticket Printer | Ithaca EPIC 950, JCM GEN 5 | | |
| Player Tracking | Available and customisable | | |
| Mainboard | Platform | Abbr. | Game Content |
| | COOLFIRE™ II-s | CF2S | |
| | FireFox | FF | NOVO LINE™, Octavian, Pro |
| | FireFox II | FF2 | Impera, NOVO LINE™, Octavian, Plurius, Pro |
| | Quixant QXi-6000 | | |
| | Quno | | |
| Player Panel | With buttons | | |
| Sound | 2 full range loudspeakers and 1 subwoofer | | |
| Extra Start Button | Available in the footrest | | |



Technical Data

NOVOMATIC

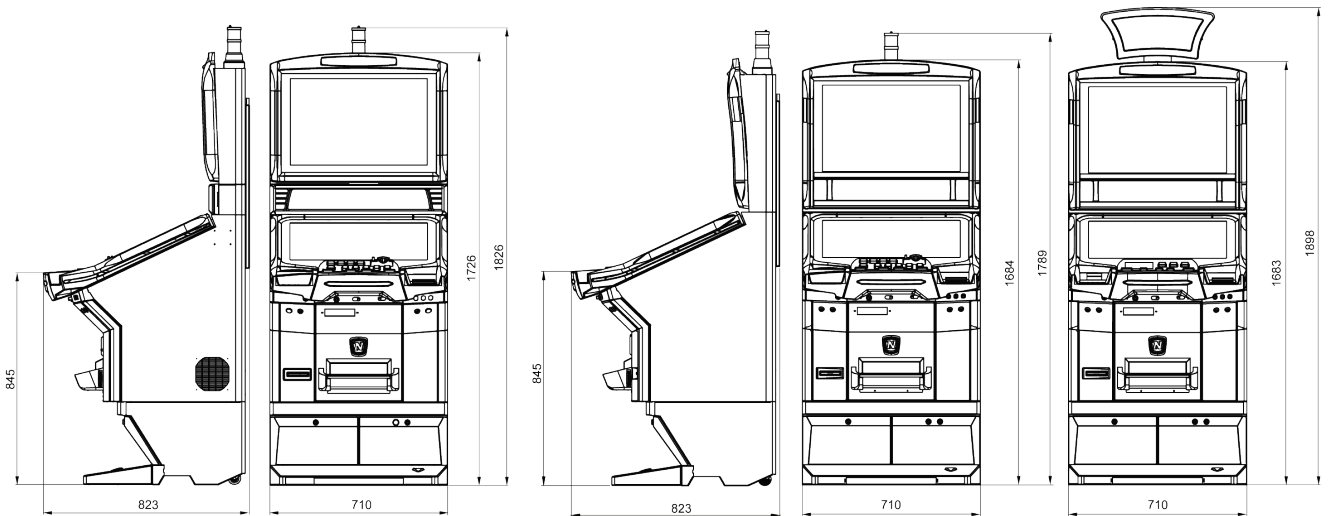


| | |
|--|--|
| Machine Type | FV880 SL1 |
| Dimensions SL1 | Width: 710 mm Depth: 806 mm |
| With Player Tracking Top and Top Light With Player Tracking Top | Height: 1363 mm Height: 1200 mm |
| With Sound Top and Top Light With Sound Top | Height: 1246 mm Height: 1133 mm |
| Power Supply | 230 V / 50 Hz / 1.9 A 120 V / 60 Hz / 3.8 A |
| Power Consumption | 350 W |
| Ambient Temperature | 10 – 35° C |
| Ambient Humidity | 30 – 80 % (non-condensing) |

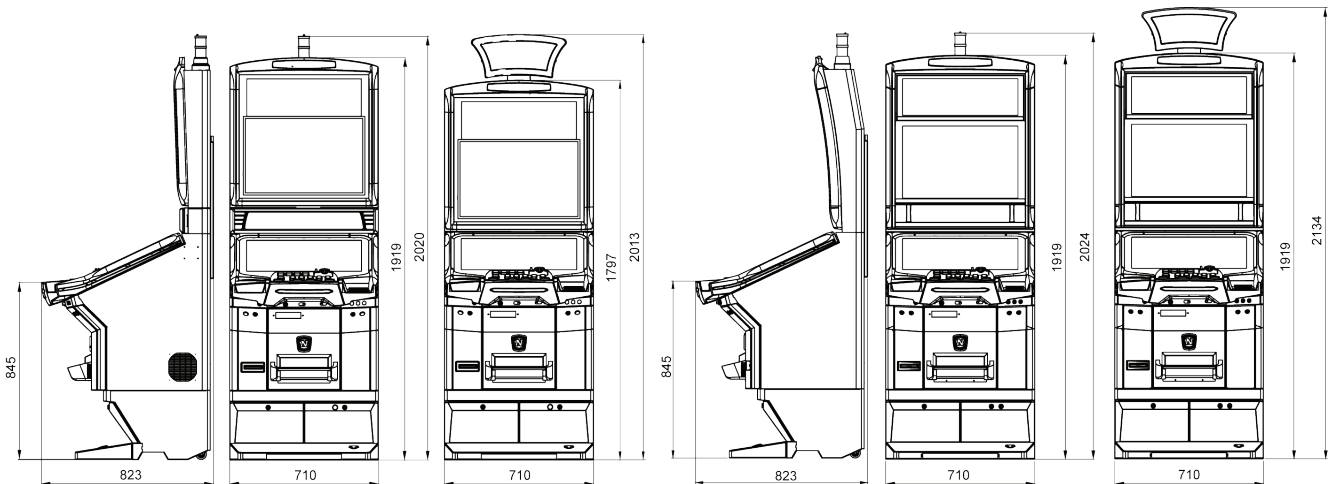


Technical Data

NOVOMATIC



| | |
|--|---|
| Machine Type | FV880 SL2 |
| Dimensions SL2 | Width: 710 mm Depth: 823 mm |
| Small Top with Top Light Classic Small Top without Top Light | Height: 1826 mm Height: 1726 mm |
| Small Curve Top with Topper Small Curve Top with Top Light Classic Small Curve Top without Top Light | Height: 1898 mm Height: 1789 mm Height: 1684 mm |
| Power Supply | 230 V / 50 Hz / 1.9 A 120 V / 60 Hz / 3.8 A |
| Power Consumption | 350 W |
| Ambient Temperature | 10 – 35° C |
| Ambient Humidity | 30 – 80 % (non-condensing) |



| | |
|---|--|
| Machine Type | FV880 SL3 |
| Dimensions SL3 | Width: 710 mm Depth: 823 mm |
| With Medium Top with Top Light Classic With Medium Top without Top Light | Height: 2020 mm Height: 1919 mm |
| With Medium Curve Top with Top Light Classic With Medium Curve Top without Top Light | Height: 2024 mm Height: 1919 mm |
| With Medium Curve Top with Topper With Medium Curve Top without Topper | Height: 2134 mm Height: 1919 mm |
| Without Player Tracking Top with Topper Without Player Tracking Top without Topper | Height: 2013 mm Height: 1797 mm |
| Power Supply | 230 V / 50 Hz / 1.9 A 120 V / 60 Hz / 3.8 A |
| Power Consumption | 350 W |
| Ambient Temperature | 10 – 35° C |
| Ambient Humidity | 30 – 80 % (non-condensing) |

General Disclaimer

All technical information contained in this data sheet has been developed and compiled with great care and is subject to change without notice. NOVOMATIC AG reserves the right to make changes to this data sheet at any time and gives no guarantee and accepts no legal responsibility (neither as a liability nor in any other way) for any errors and consequences that may arise from incorrect statements or incorrect use. © NOVOMATIC 11 2018

