

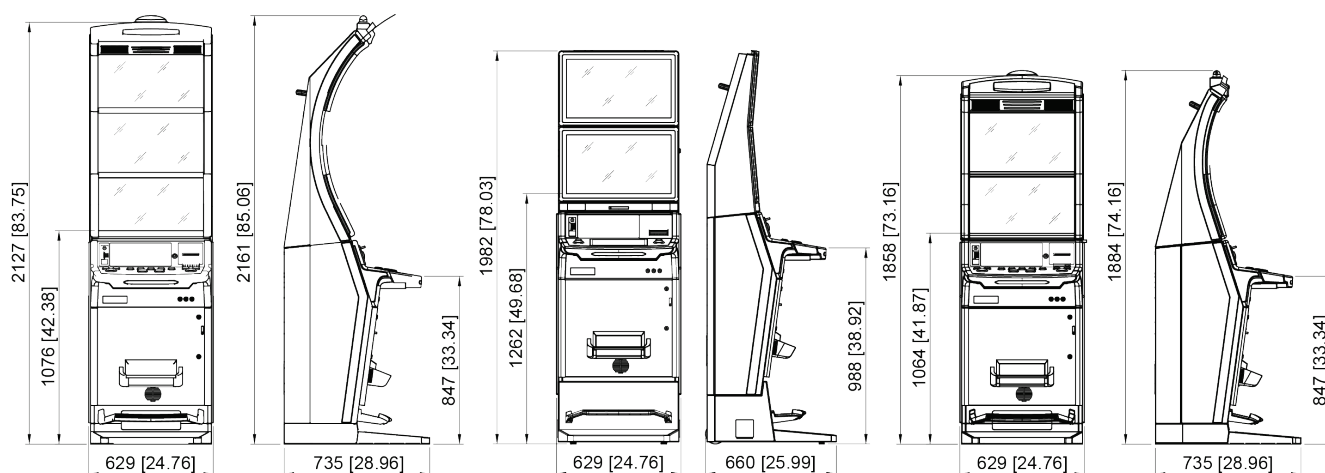
Technical Features



Symbolic Picture

Cabinet Type	Stand (ST)		
Top Light	Game light (horizontal, 3 colours)		
Monitor	S2 with 2 TFT 23.8" (16:9) S3 with 3 TFT 23.8" (16:9)		
Cash Handling			
Bill Validator	Ardac Elite, JCM iVIZON-100-SS, JCM UBA-1x-SS, MEI SCNxx (Cashflow)		
Bill Dispenser	NV200 + SmartPayout		
Coin Validator	CONDOR Premier, NRI G-13.mft		
Hopper	Up to 2: Universal MK4		
Ticket Printer	Ithaca EPIC 950, JCM GEN 5		
Player Tracking	Available and customisable		
Mainboard	Platform	Abbr.	Game Content
	FireFox II	FF2	Astra, Impera, NOVO LINE™, Plurius, Pro
	Quno		
Player Panel	With buttons and 12.1" PCAP Touch deck		
Sound	Soundbox UNI		

Technical Data



Machine Type	FV834 Sx
Dimensions in mm [in]	Width: 629 [24.76]
S3 (3 Monitors)	Depth: 735 [28.96]
S3 with Game Light	Height: 2161 [85.06]
S3 without Game Light	Height: 2127 [83.75]
S2VLT (2 Monitors) without Game Light	Depth: 660 [25.99] Height: 1982 [78.03]
S2 (2 Monitors)	Depth: 735 [28.96]
S2 with Game Light	Height: 1884 [74.16]
S2 without Game Light	Height: 1858 [73.16]
Power Supply	230 V / 50 Hz / 1.9 A 120 V / 60 Hz / 3.8 A
Power Consumption	350 W
Ambient Temperature	10 – 35° C
Ambient Humidity	30 – 80 % (non-condensing)

General Disclaimer

All technical information contained in this data sheet has been developed and compiled with great care and is subject to change without notice. NOVOMATIC AG reserves the right to make changes to this data sheet at any time and gives no guarantee and accepts no legal responsibility (neither as a liability nor in any other way) for any errors and consequences that may arise from incorrect statements or incorrect use. © NOVOMATIC 03 2019