

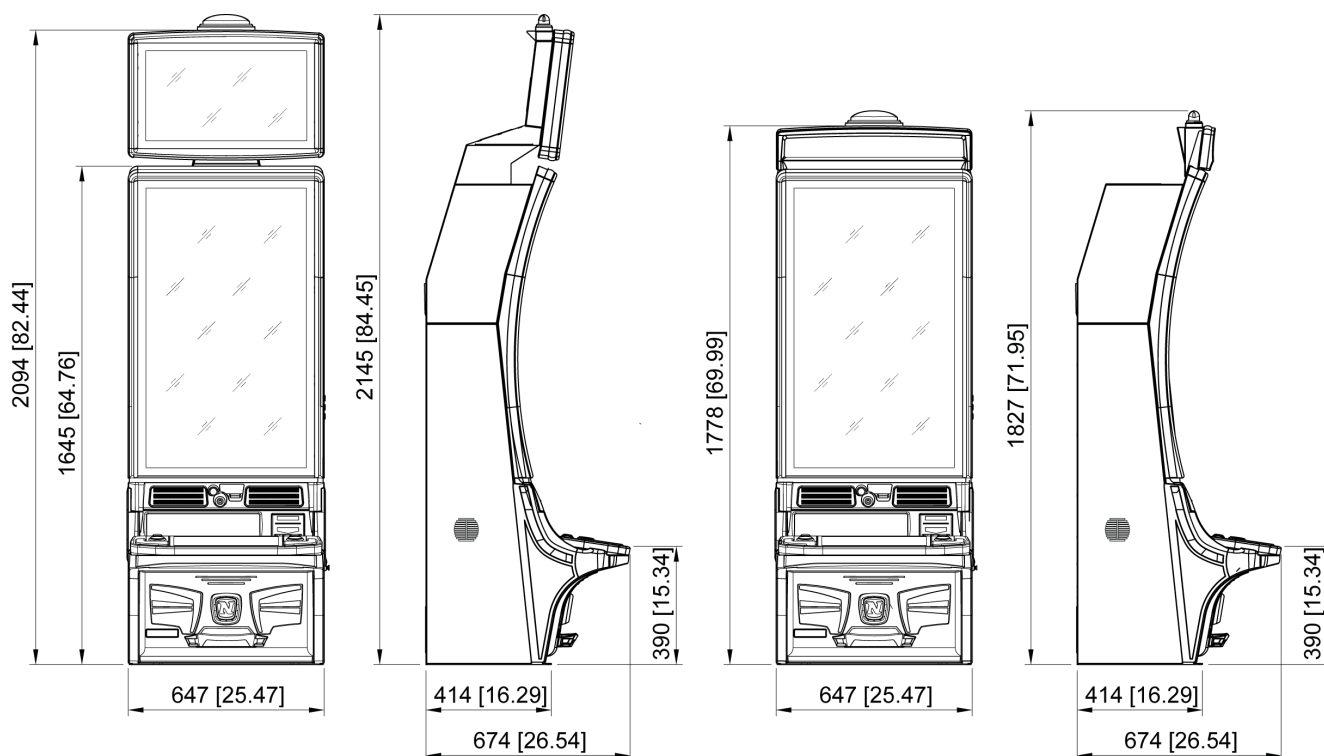
Technical Features



Symbolic Picture

Cabinet Type	Upright (UP)		
Top Light	Game light (horizontal, 3 colours)		
Topper	With 23.8" TFT Monitor or with perspex plate		
Monitor	1 TFT 43" (16:9) curved		
Cash Handling			
Bill Validator	JCM iVIZON-100-SS, JCM UBA-1x-SS, MEI SCNxx (Cashflow)		
Coin Validator	CONDOR Premier, MC-40, NRI G-13.mft		
Ticket Printer	Ithaca EPIC 950, JCM GEN 5		
Player Tracking	Available and customisable		
Mainboard	Platform	Abbr.	Game Content
	FireFox II	FF2	Impera, NOVO LINE™, Octavian
	Quixant QXi-6000		
Player Panel	With buttons and 15.1" PCAP Touch Deck		
Sound	Novo Soundbox		
Base	Standard and Casino		
Extra Start Button	Available in the footrest		

Technical Data



Machine Type	FV640C
Dimensions in mm [in]	Width: 647 [25.47] (Without Base or with Standard Base) Width: 750 [29.53] (Casino Base) Depth: 674 [26.54]
Without Base, with Topper C78 and Game Light	Height: 2145 [84.45]
Without Base, with Topper C78, without and Game Light	Height: 2094 [82.44]
Without Base, without Topper, with Game Light	Height: 1827 [71.95]
Without Base, without Topper and Game Light	Height: 1778 [69.99]
Standard or Casino Base	Height: 450 mm [17.72]
Power Supply	230 V / 50 Hz / 1.8 A
Power Consumption	300 W
Ambient Temperature	10 – 35° C
Ambient Humidity	30 – 80 % (non-condensing)

General Disclaimer

All technical information contained in this data sheet has been developed and compiled with great care and is subject to change without notice. NOVOMATIC AG reserves the right to make changes to this data sheet at any time and gives no guarantee and accepts no legal responsibility (neither as a liability nor in any other way) for any errors and consequences that may arise from incorrect statements or incorrect use. © NOVOMATIC 11 2019

