

Technical Features



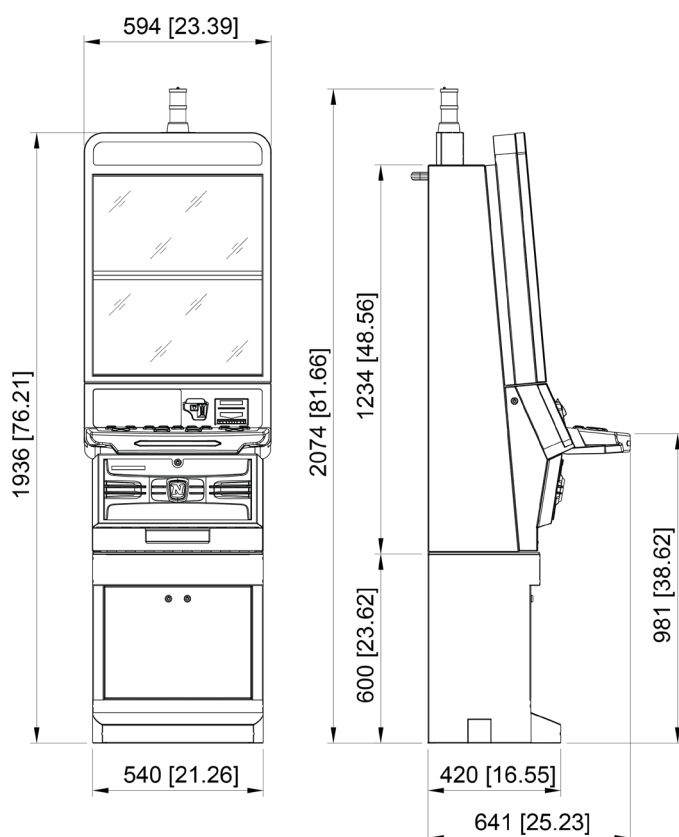
Symbolic Picture

Cabinet Type	Upright (UP)		
Top Light	Candle (vertical, 3 colors) or Classic (vertical, 2 colors)		
Topper	With perspex plate		
Monitor	2 TFT 23.8" (16:9) 1x PCAP Touch		
Cash Handling			
Bill Validator	iVIZION-100-SS, MEI SCxxxx (Cashflow), MEI SCNxxxx (Cashflow), UBA-1x-SS, UBA Pro		
Coin Validator	MC-40, NRI G-13.mft USB		
Printer	Epic 950, Epic Edge, GEN 2*, GEN5		
NBS**	Futronic FS84C, Futronic FS85A, NBS-IRM		
Player Tracking	Available and customizable		
Mainboard	Platform	Abbr.	Game Content
	COOLFIRE™ II-s	CF2S	
	FireFox II	FF2	NOVO LINE, Impera, Octavian, Plurius, Pro
	Quno WES		Windows Embedded Standard
Player Panel	With buttons		
Sound	2 full range loudspeakers and 1 subwoofer		
Base	SLIM Standard		

* EOL = End of Life

** NBS = Technologies for Casino Management

Technical Data



Machine Type	FV623A
Dimensions in mm [in]	Width: 594 [23.39] Depth: 641 [25.23]
Without Base, with Top Light Classic	Height: 1474 [58.04]
Without Base and without Top Light	Height: 1336 [52.59]
Base	Height: 600 [23.62]
Power Supply	230 V~ / 50 Hz / 1.6 A 120 V~ / 60 Hz / 2.5 A
Power Consumption	250 W
Ambient Temperature	10–35 °C
Ambient Humidity	30–80% (non-condensing)

General Disclaimer

The manufacturer assumes no liability or responsibility for the accuracy, up-to-datedness and/or completeness of the information and data provided in the data sheet. Any and all liability relating to the data sheet (such as for damages due to incorrect or incomplete data) are based on the provision of the General Terms and Conditions of Sale and Delivery of NOVOMATIC AG (<https://www.novomatic.com/en/imprint>). © NOVOMATIC 04 2022

