

Technical Features

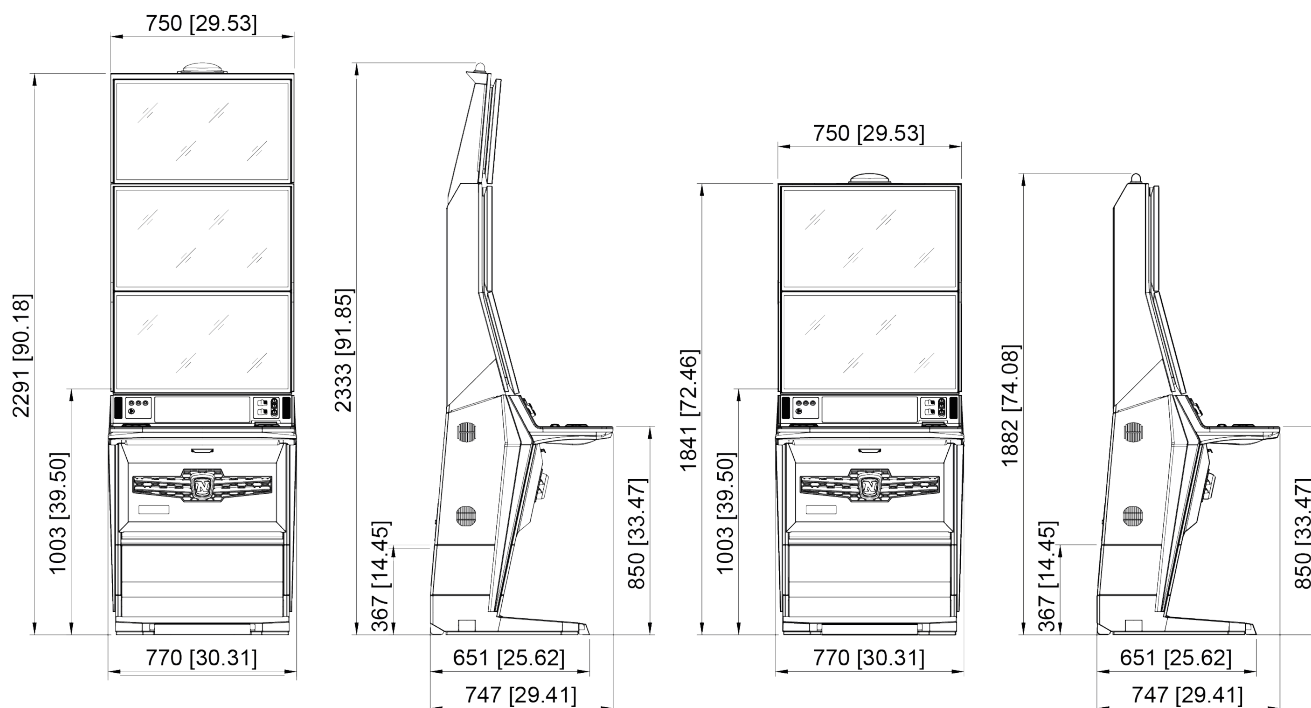


Symbolic Picture

Cabinet Type	Stand (ST)		
Top Light	Game light (horizontal, 2/3 colors)		
Topper	32" TFT Monitor		
Monitor	2 TFT 32" (16:9) 1x PCAP Touch		
Cash Handling			
Bill Validator	iVIZION-100-SS, MEI SCNxxxx (Cashflow), MEI SCNMxxxx (Cashflow), UBA-1x-SS, UBA Pro		
Printer	Epic 950, Epic Edge, GEN5		
NBS*	Futronic FS85A		
Player Tracking	Available and customizable		
Mainboard	Platform	Abbr.	Game Content
	COBRA	CB	NOVO LINE, Octavian
	FireFox II	FF2	Impera, NOVO LINE, Octavian, Pro
Player Panel	With buttons or 15.6" PCAP TouchDeck		
Sound	Novo Soundbox		

* NBS = Technologies for Casino Management

Technical Data



Machine Type	FV330A
Dimensions in mm [in]	Width: 770 [30.31] Depth: 747 [29.41]
With Topper D19 and Top Light	Height: 2333 [91.85]
With Topper D19, without Top Light	Height: 2291 [90.18]
Without Topper, with Top Light	Height: 1882 [74.08]
Without Topper, without Top Light	Height: 1841 [72.46]
Power Supply	230 V~ / 50 Hz / 1.9 A
Power Consumption	350 W
Ambient Temperature	10–35 °C
Ambient Humidity	30–80% (non-condensing)

General Disclaimer

The manufacturer assumes no liability or responsibility for the accuracy, up-to-datedness and/or completeness of the information and data provided in the data sheet. Any and all liability relating to the data sheet (such as for damages due to incorrect or incomplete data) are based on the provision of the General Terms and Conditions of Sale and Delivery of NOVOMATIC AG (<https://www.novomatic.com/en/imprint>). © NOVOMATIC 04 2022